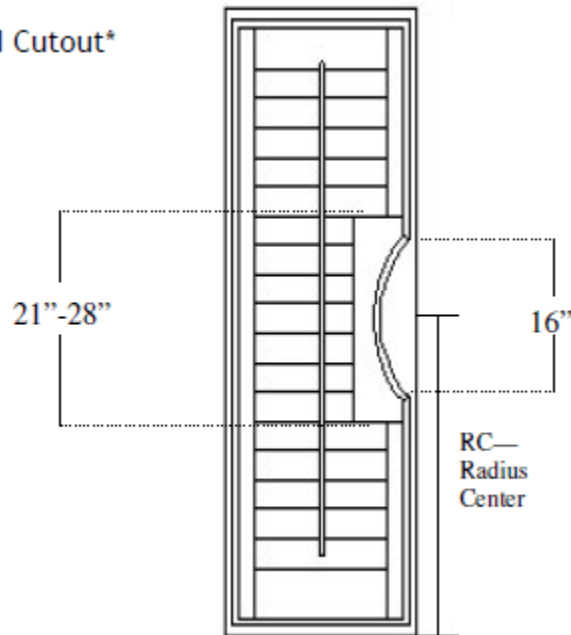


# Atrium Door Cutouts

Standard Cutout\*



## Measuring for Cutouts

*A template is suggested to properly measure for cutouts*

1. Record your width and height measurements for the door. *SMI recommends window (glass size) dimensions*
2. Place the template against the door and find the ideal position
3. Make a small mark on the door where the center of the radius fall
4. Measure from where you took your height measurement to the center of the radius.
  - i.e. window size measurement: from bottom of glass to radius center
  - i.e. max frame to frame: from bottom of frame to radius center
5. Record the radius center in the notes field in AMI or on your order form

## Notching

Sometimes it is necessary to notch the flange to clear a deadbolt. There is no charge for a "standard notch" of 1 1/16" x 16". See pricing guide for non-standard notch surcharge. Indicate all notching in the notes field in AMI or on your order form.